

AIR COMPRESSOR - MODEL 5000

12 Volt DC Operation

General

Part Number12 VDC P/N38040; 24 VDC P/N 38517
 Model Number 5000
 Power 12 Volt DC Std., 24 Volt DC Optional
 Dimensions 16" Diameter, 14" Height
 Weight 23 lbs.
 Capacity4.0 Gallons
 Pressure90 PSI Maximum
 Start/Stop ON @ 60 PSI/ OFF @ 90 PSI
 CFM Rate See chart at right

Customer to provide over current protection (fuse or circuit breaker).

Compressor Features

UsageHeavy duty
 Type Oil-less, non lube piston and cylinder
 BearingsPermanently lubricated ball bearings
 ValvesStainless steel
 Valve Plate Lapped aluminum
 ComponentsLight weight die cast aluminum
 Pistons Rings Long life, hi-perf., Teflon compound
 CylindersThin wall, hard coated aluminum
 PumpBalanced eccentric, low vibration
 NoiseLow noise design
 ServiceTotal field service capability
 Corrosion Protected All wetted aluminum/steel parts
All other parts stainless steel

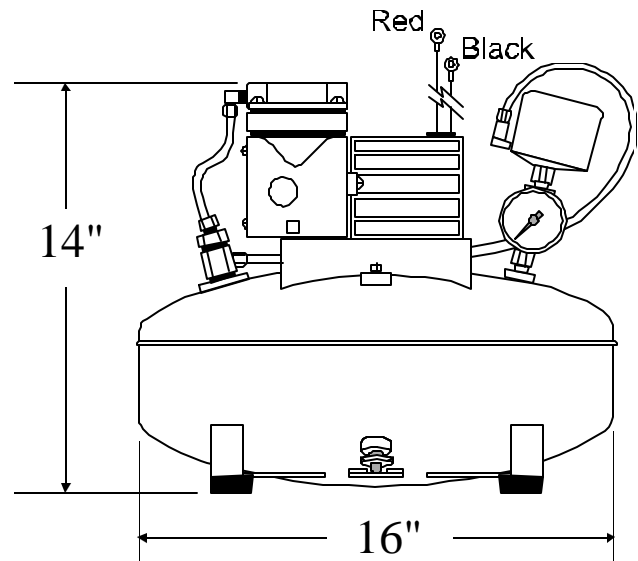
Compressor Specifications

Operating Pressure 100 PSI max.
 Ambient Temperature 120EC max.
 Ambient Temperature 10EC min.
 Motor Voltage 12 or 24 Volt DC
 Horsepower 1/10 HP
 Motor TypePermanent Magnet
 Current at Rated Load10.0 Amps
 Min. Full Load Speed2650 RPM
 Starting Current (locked rotor)25 Amps
 Insulation Class A
 Thermal ProtectorManual Reset
at top of pressure switchcover

Warranty

One Year Limited Warranty - detailed copy available upon request. Microphor General Terms and Conditions Covering Sales apply.

Rough-In Dimensions



CFM Delivery Rate with 12 Volt DC

Pressure (psi)	Flow (cfm)
0	1.04
10	.92
20	.78
30	.66
40	.57
50	.47
60	.42
70	.35
80	.31
90	.27
100	.23

Changes In Design

Continuing a policy of research and development, Microphor, Inc., reserves the right of price, product, or design change without notice or obligation.



452 East Hill Road
 Willits, CA 95490 USA
 Phone: 707.459.5563
 Toll Free: 800.358.8280

Fax: (707) 459-6617
 E-mail: info@microphor.com
www.microphor.com
www.wabtec.com

Form: 204
 Rev 7/31/01