

## Air Operated Asian Style Toilet



### Product Features

- Three flush nozzles provide efficient bowl rinse with each flush
- Clean bowl design with no seams to collect debris
- Waste outlet equipped with mechanical seal and wet bowl design provides water seal as well
- Large 80mm waste outlet
- Models for gravity water or pressurized water available
- No electrical connection required
- Optional cold weather protection
- Optional water pump system available

The toilet is made of 18/8 stainless steel and is finished with a glass bead peened surface for optimum bowl washing. The design utilizes a one piece metal forming process which includes a slip resistant passenger footrest.

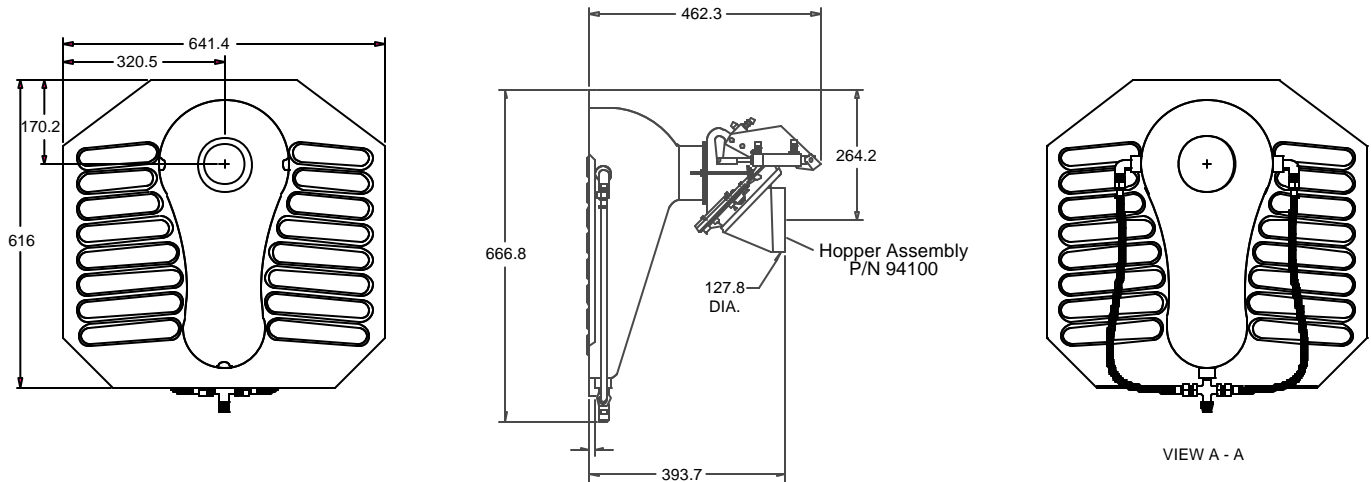
Microphor's one-piece Asian style toilet is designed with optimal depth to prevent overflow, while offering excellent bowl washing quality. The toilet utilizes nozzles positioned strategically around the inner bowl cavity to provide quality bowl washing with minimal water consumption.



452 East Hill Road  
Willits, CA 95490  
(707) 459-5563  
(800) 358-8280  
Fax: (707) 459-6617  
E-mail: [info@microphor.com](mailto:info@microphor.com)  
[www.microphor.com](http://www.microphor.com)  
[www.wabtec.com](http://www.wabtec.com)

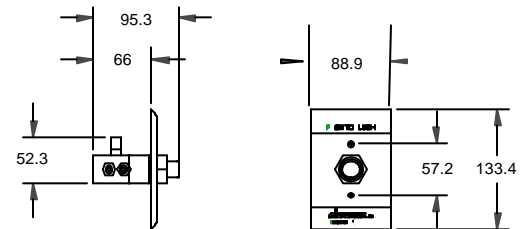
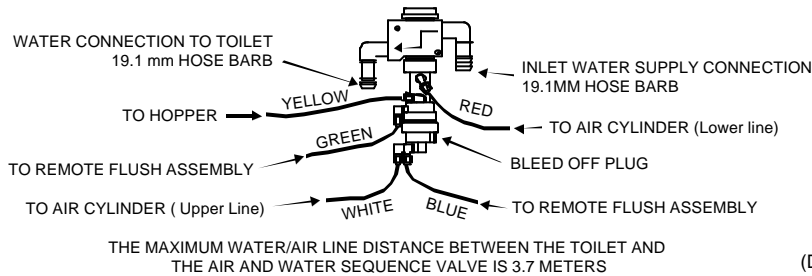
# Air Operated Asian Style Toilet

Asian Style Toilets, Air Operated Gravity Water, P/N 93699-5 and Pressure Water, P/N 93699-7



High Flow Air & Water Sequence Valve Assembly

Flush Actuator



(Dimension shown in millimeters)

Grfc:93699-5-7m

## GENERAL INFORMATION

The Microphor Asian Style Toilet is suitable for replacing existing fixtures or for use in new construction.

The following are general installation requirements:

If pressure water is used, water pressure should be 2.1-3.5 Bar (30-50 psi) at 23 LPM (6 gpm). If gravity water is used, there must be a minimum 1.83 meters (6 feet) of head.

### WATER CONNECTION

Water is to be supplied to the toilet by a 19mm (3/4") water line.

### WATER CONSUMPTION

Gravity Water Supply:

2 quarts (1.9 liters)

Microphor Dual Pump Supply:

3.5 quarts (3.3 liters)

### AIR PRESSURE

Regulated at 4.14-4.48 Bar (60-65 PSI)

### SHIPPING INFORMATION

Weight: 15.9 kg (35 lbs.)

### WARRANTY

Limited one-year on all component parts. Detailed warranty available upon request.

### CHANGES IN DESIGN

Continuing a policy of research and development, Microphor reserves the right of price, product or design change without notice or obligation.



452 East Hill Road  
Willits, CA 95490 USA  
Phone: 707-459-5563  
Toll Free: 800-358-8280

Fax: 707-459-6617  
E-mail: info@microphor.com  
www.microphor.com  
www.wabtec.com

Form: 270.wpd  
08/14/01