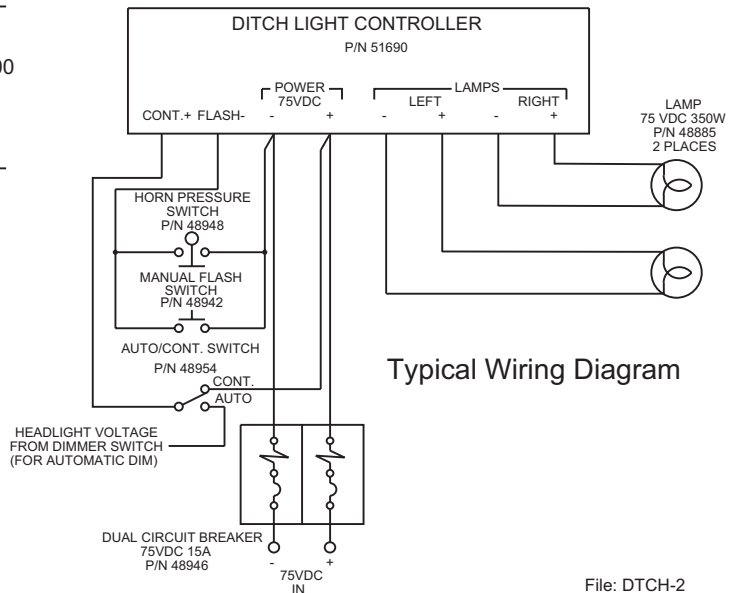
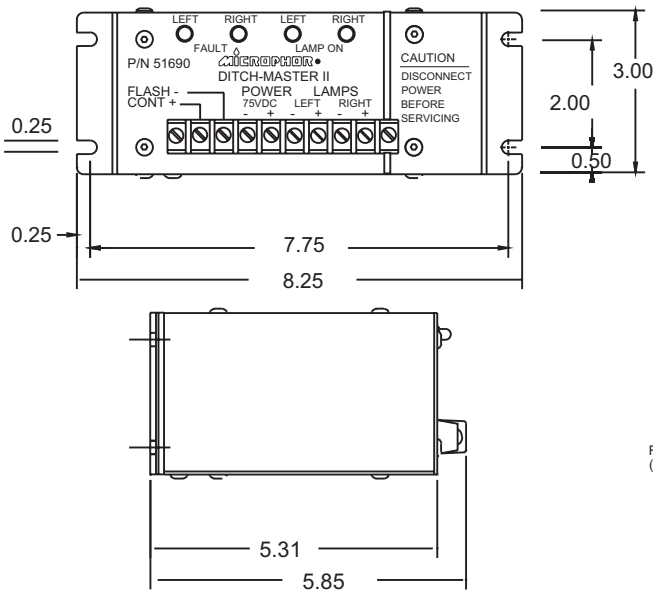


DITCH-MASTER II



DITCH-MASTER II™ CONTROLLER

Powder-coated metal housing with rear mounting bracket measuring 8.25" width.
 4.2 lbs. net wt. Dimensions: 7.5" W x 5.75" D x 3" H. Specify voltage and positive or negative (GND) input polarities control.

75VDC	P/N 51690
32VDC	P/N 51693

OPTIONAL EQUIPMENT

Ditch Light Kits can be provided to meet customer requirement. Select from below:

75 VDC, par 56	P/N 48885
32 VDC, par 56	P/N 48939

Voltage reducing equipment must be used whenever 32VDC Lamps are connected to the 75V Ditch-Master II Controller.

DITCH LIGHT HOUSING Consult Factory

Several options available. Heavy casting with water-tight seals.

VOLTAGE REDUCING ASSY P/N 51630

Drops 75V down to 32V for each lamp, extended life, active cooling type, required whenever 32V lamps are used with a 75 V Ditch-Master II Controller.

PRESSURE SWITCH ASSY Consult Factory

Several options available. Connects to horn air line, automatically operates at 5 psi to activate ditch lights.

MOUNTING BRACKETS Many options or per customer spec Consult Factory

BI-DIRECTIONAL LIGHT/CONTROL SWITCHES Consult Factory

Changes in Design: Continuing a policy of research and development, Microphor reserves the right of price, produce or design change without notice or obligation.



452 East Hill Road
 Willits, CA 95490 USA
 Phone: 707-459-5563
 Toll Free: 800-358-8280

Fax: 707-459-6617
 E-mail: info@microphor.com
 www.microphor.com
 www.wabtec.com