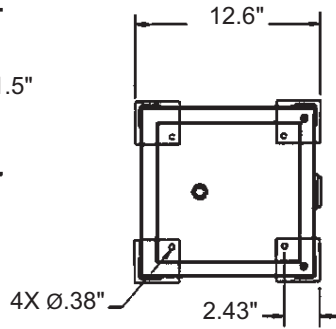
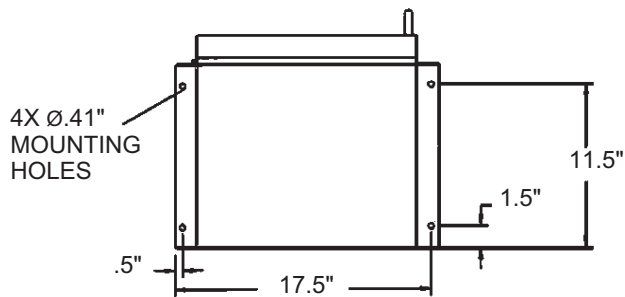
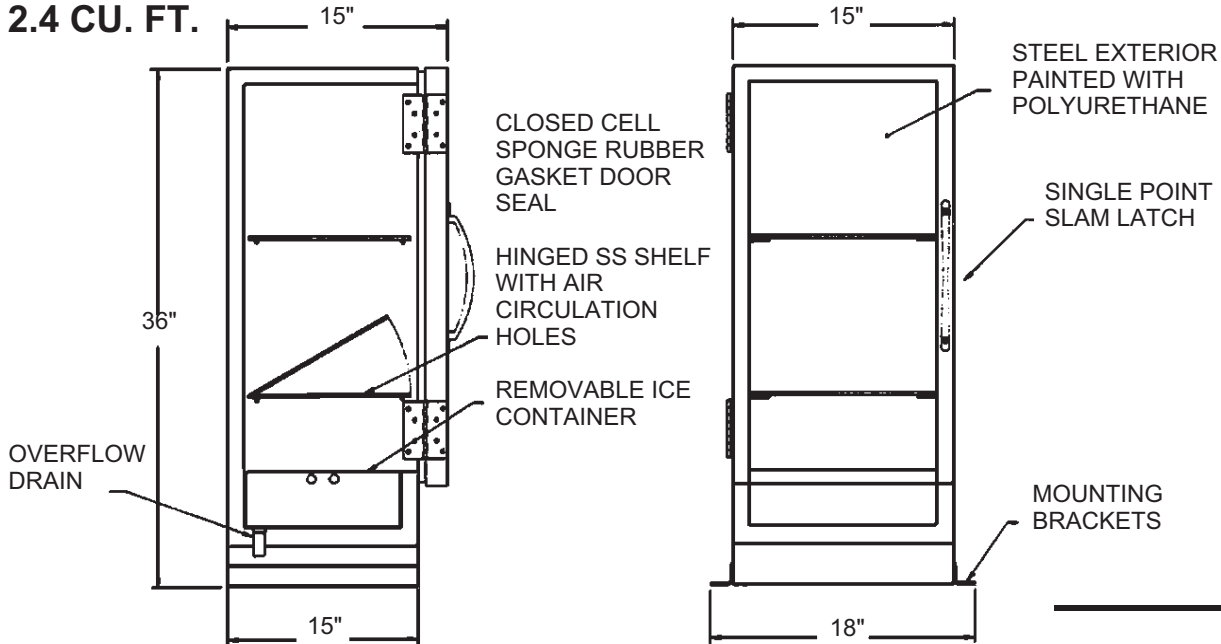


MICROPHOR ICE BOX

P/N 70600
2.4 CU. FT.



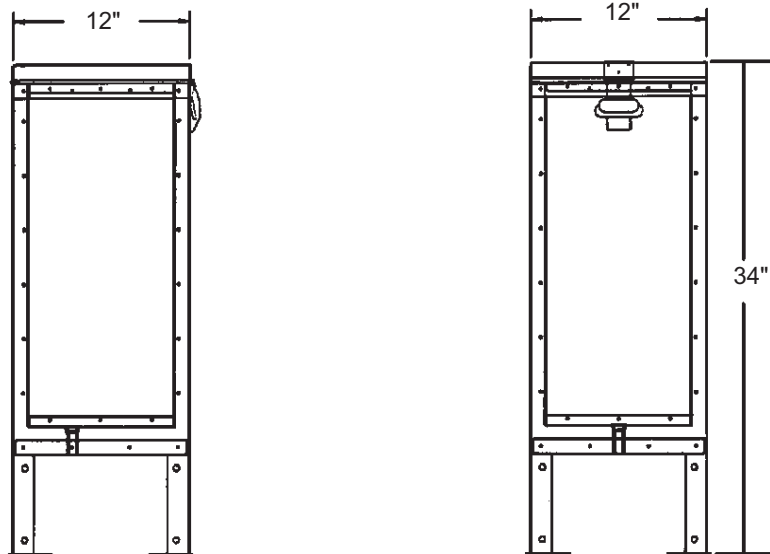
Microphor's simple design uses ice to help keep food and drinks cool for crew members, while keeping your operation and repair costs on ice!

FEATURES:

- Through floor drain to prevent puddles
- Stainless steel interiors for easy maintenance
- Heavy duty hinges for operation
- Closed cell sponge rubber door seals for better performance
- Bolts to floor for great stability
- Designed specifically for railroad applications

ONE YEAR LIMITED WARRANTY

P/N 70607
1.3 CU. FT.



452 East Hill Road
Willits, CA 95490 USA
Phone: 707-459-5563
Toll Free: 800-358-8280

Fax: 707-459-6617
E-mail: info@microphor.com
www.microphor.com
www.wabtec.com