

MODEL LF-220, 12 VOLT DC OPERATION

Microflush Half Gallon Toilets

General

Part Numbers See Price List, Form 246
 Weight 85 lbs. Shipping, 68 lbs. net
 Included Bolt Caps, Closet Screws, Wax Ring

Power Supply

Power 12 Volt DC, 24 VDC optional
 Amps 2 Amps
 Wire Size 18 AWG recommended
 Fuse 5 Amp Thermal Circuit Breaker Switch
 Connection 1/4" Spade Connectors

Water Supply

Water Usage 1/2 Gallon/Flush
 Water Pressure at the Toilet 20-50 PSIG
 Optimal Pressure 35 PSIG
 Water Flow at the Toilet 2.5 GPM Min.
 Connection 1/2" NPSM
 Water Supply Line 1/2" ID Min.

Waste Line Connection

Discharge: 3-1/8" downward
 Mounting Conventional Closet Flange

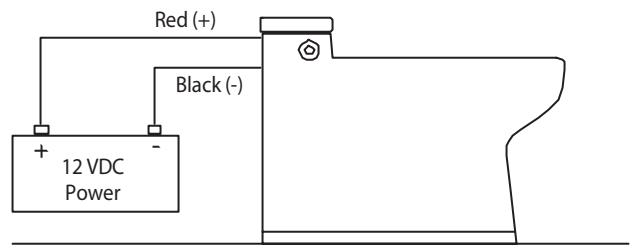
Warranty

One Year Limited Warranty - detailed copy available upon request. Microphor General Terms and Conditions Covering Sales apply.

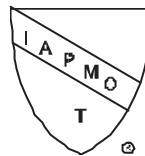
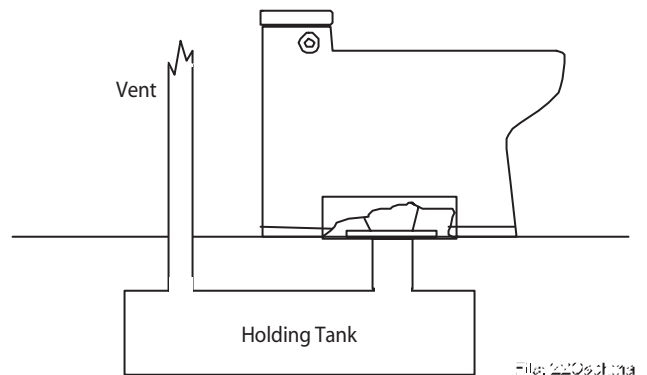
Changes In Design

Continuing a policy of research and development, Microphor, Inc., reserves the right of price, product, or design change without notice or obligation.

Electrical Wiring

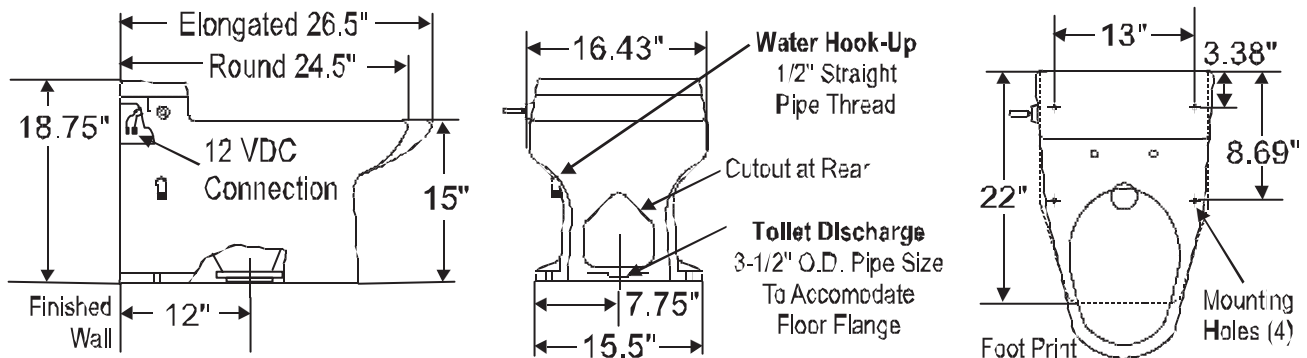


Plumbing Layout



U.S. Patent No. 4,918,764 and Related Foreign Patents

Rough-In Dimensions (All dimensions $\pm 0.5"$)



452 East Hill Road
 Willits, CA 95490 USA
 Phone: 707.459.5563
 Toll Free: 800.358.8280

Fax: (707) 459-6617
 E-mail: info@microphor.com
 www.microphor.com
 www.wabtec.com

Form: 245
 Rev 8/9/01