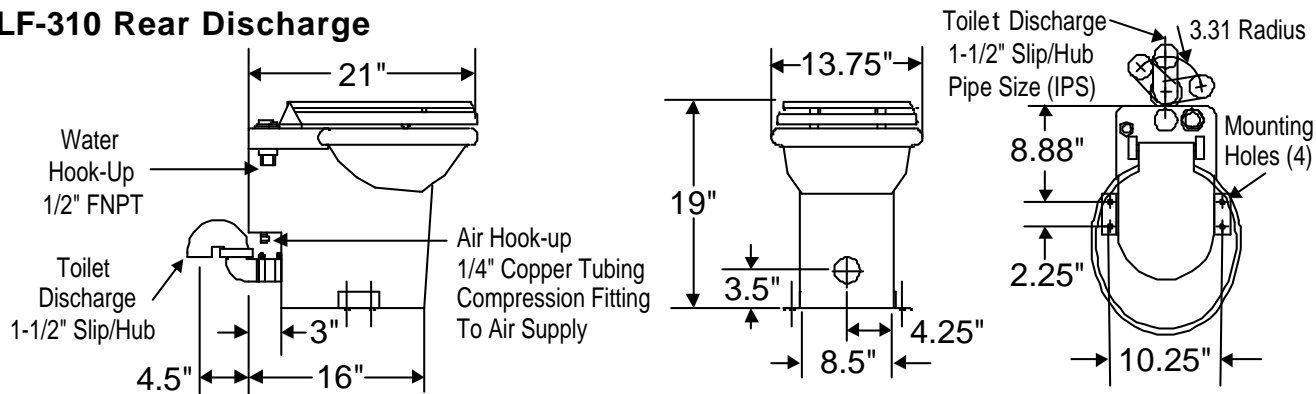


MICROFLUSH® MODEL LF-310® STAINLESS STEEL

ROUGH-IN DIMENSIONS (ALL DIMENSIONS +/- 0.5")

LF-310 Rear Discharge



File: 310b-SPC

GENERAL INFORMATION

Installation of the Microflush® marine head is similar to a conventional toilet and is suitable for replacing either standard fixtures or for use in new boat construction. Following are general installation requirements.

AIR SUPPLY

An air line from a compressed air source must be supplied. An air pressure regulator must be installed at the air tank to provide a constant pressure of 60 PSI at the toilet. Sizing of compressors and air lines is shown on the Compressor sizing chart. Optional Air Connecting Kits are available (see Air System Accessories).

WATER SUPPLY

Water is to be supplied to the toilet by a standard 1/2" water line with a minimum of 20 PSI, a maximum of 50 PSI and a constant pressure with a variation of no more than ± 3 PSI. Higher water pressure can prevent toilets from

flushing. If higher pressures are anticipated, install a pressure reducing valve in the water line. Ideal pressure is 35 PSI.

TOILET SEAT

Toilet seat post holes are on 5-1/2" centers. The seat is included.

SHIPPING INFORMATION

Weight: 35 lbs.; Volume 3.9 cubic feet

DOWNWARD DISCHARGE KIT

An optional LF-310 Bottom Discharge Kit, P/N 93702, can be ordered to convert rear discharge models to downward discharge with a 12" rough-in from the back wall.

WARRANTY

Limited one-year on all component parts. Detailed warranty available upon request.

CHANGES IN DESIGN

Continuing a policy of research and development, Microphor, Inc., reserves the right of price, product, or design change without notice of obligation.



452 East Hill Road
Willits, CA 95490 USA
Phone: 707.459.5563
Toll Free: 800.358.8280

Fax: (707) 459-6617
E-mail: info@microphor.com
www.microphor.com
www.wabtec.com

Form: 639
Rev 7/18/01