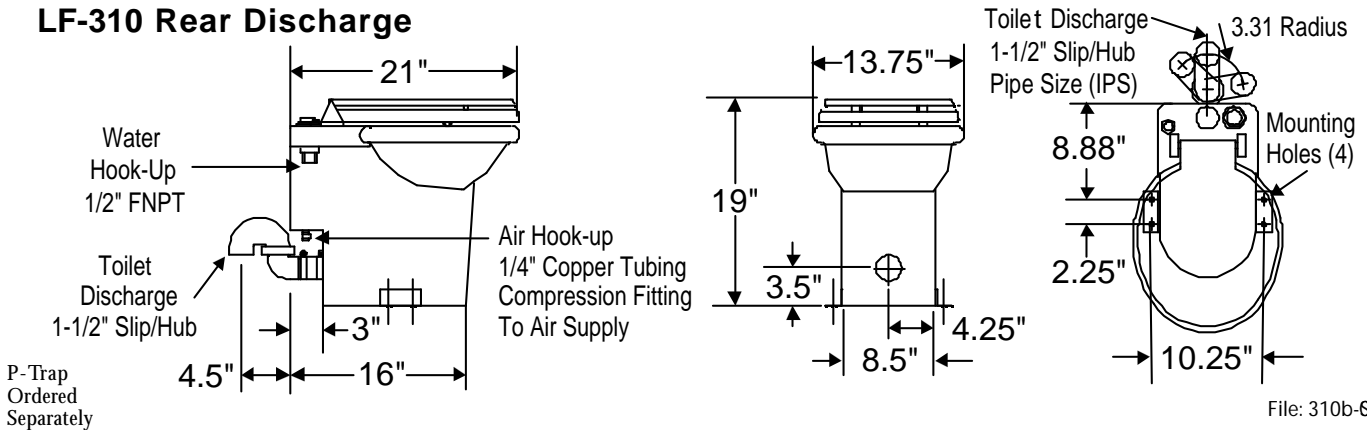


MICROFLUSH® MODEL LF-310® STAINLESS STEEL

ROUGH-IN DIMENSIONS (ALL DIMENSIONS +/- 0.5")

LF-310 Rear Discharge



GENERAL INFORMATION

Installation of the Microflush® toilet is similar to a conventional toilet and is suitable for replacing either standard fixtures or for use in new construction. The following are general installation requirements.

AIR SUPPLY

An air line from a compressed air source must be supplied. An air pressure regulator must be installed at the air tank to provide a constant pressure 60 PSI at the toilet. Sizing of compressors and air lines is shown on the Compressor sizing chart. Air Connecting Kits are available (see Air System Accessories).

WATER SUPPLY

Water is to be supplied to the toilet by a standard 1/2" water line with a minimum of 20 PSI and a maximum of 50 PSI and a constant pressure with a variation of no more than ± 3 PSI for

pressured water supply models. Gravity water pressure models operate at 14 PSI atmospheric with 6 feet of head at sea level. Higher water pressure can prevent toilets from flushing. If higher pressures are anticipated, install a pressure reducing valve in the water line. Ideal pressure is 35 PSI. Optional gravity water pressure models are available - contact factory for details.

TOILET SEAT

Toilet seat post holes are on standard 5-1/2" centers. The seat is provided with most units, contact factory regarding specific models (see Toilet Accessories).

SHIPPING INFORMATION

Weight: 35 lbs.; Volume: 3.9 cubic feet

WARRANTY

Limited one-year on all component parts. Detailed warranty available upon request.

CHANGES IN DESIGN

Continuing a policy of research and development, Microphor, Inc., reserves the right of price, product, or design change without notice or obligation.

DOWNWARD DISCHARGE KIT

An optional LF-310 Bottom Discharge Kit, P/N 93702, can be ordered to convert rear discharge models to downward discharge with a 12" rough-in from the back wall.



452 East Hill Road
Willits, CA 95490 USA
Phone: 707.459.5563
Toll Free: 800.358.8280

Fax: (707) 459-6617
E-mail: info@microphor.com
www.microphor.com
www.wabtec.com