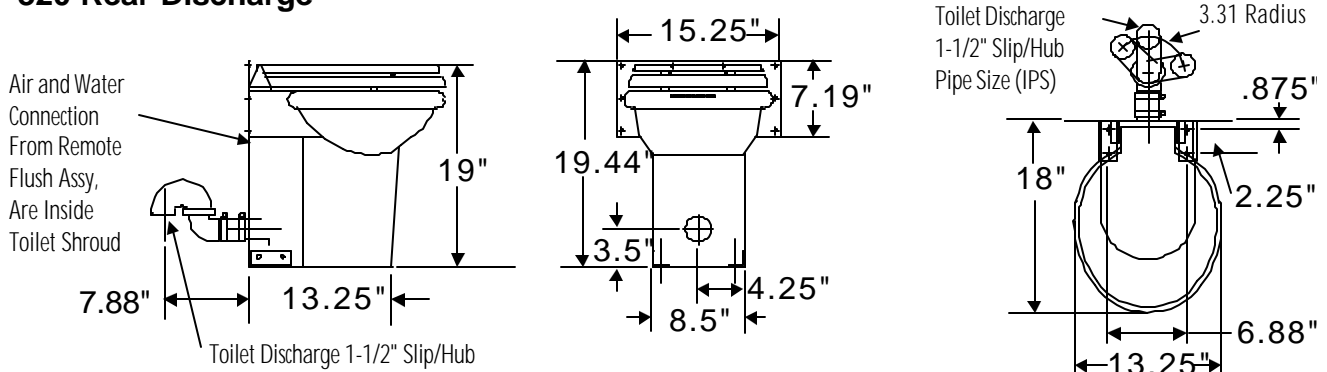


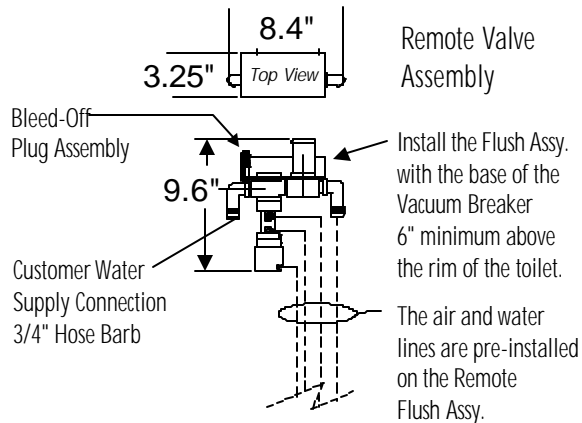
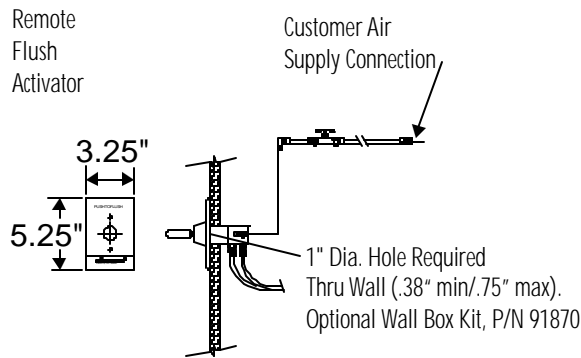
MICROFLUSH® MODEL LF-320® STAINLESS STEEL

ROUGH-IN DIMENSIONS (All dimensions ± 0.5")

LF-320 Rear Discharge



Remote Flush Rough-In



THE MAXIMUM WATER LINE DISTANCE BETWEEN THE TOILET AND THE REMOTE FLUSH ASSY IS SIX (6) FEET.

Grfc: 320-spec

GENERAL INFORMATION

Installation of the Microflush® marine head is similar to a conventional toilet and is suitable for replacing either standard fixtures or for use in new boat construction. The following are general installation requirements.

AIR SUPPLY - An air line from a compressed air source must be supplied. An air pressure regulator must be installed at the air tank to provide a constant pressure 60 PSI at the toilet. Sizing of compressors and air lines is shown on the Compressor sizing chart.

WATER SUPPLY - Water is to be supplied to the toilet by a standard 1/2" water line with a minimum of 20 PSI, a maximum of 50 PSI

and a constant pressure with a variation of no more than ± 3 PSI. Higher water pressure can prevent toilets from flushing. If higher pressures are anticipated, install a pressure reducing valve in the water line. Ideal pressure is 35 PSI. Water supply should be located 9" from centerline of toilet and 3" from floor. Water supply should be 1/2" flexible line from angle stop to fitting on toilet which is 1/2" NPS slip joint nut (1/2" lavatory supply) (see Rough-In Dimensions).

TOILET SEAT - Toilet seat post holes are on 5-1/2" centers. The seat is provided with most units; contact factory regarding specific models.

SHIPPING INFORMATION -

Weight: 35 lbs.; Volume 3.9 cubic feet

WARRANTY - Limited one-year on all component parts. Detailed warranty available upon request.

CHANGES IN DESIGN - Continuing a policy of research and development, Microphor reserves the right of price, product, or design change without notice or obligation.



452 East Hill Road
Willits, CA 95490 USA
Phone: 707.459.5563
Toll Free: 800.358.8280

Fax: (707) 459-6617
E-mail: info@microphor.com
www.microphor.com
www.motivepower.com

Form: 638
Rev 5/4/01