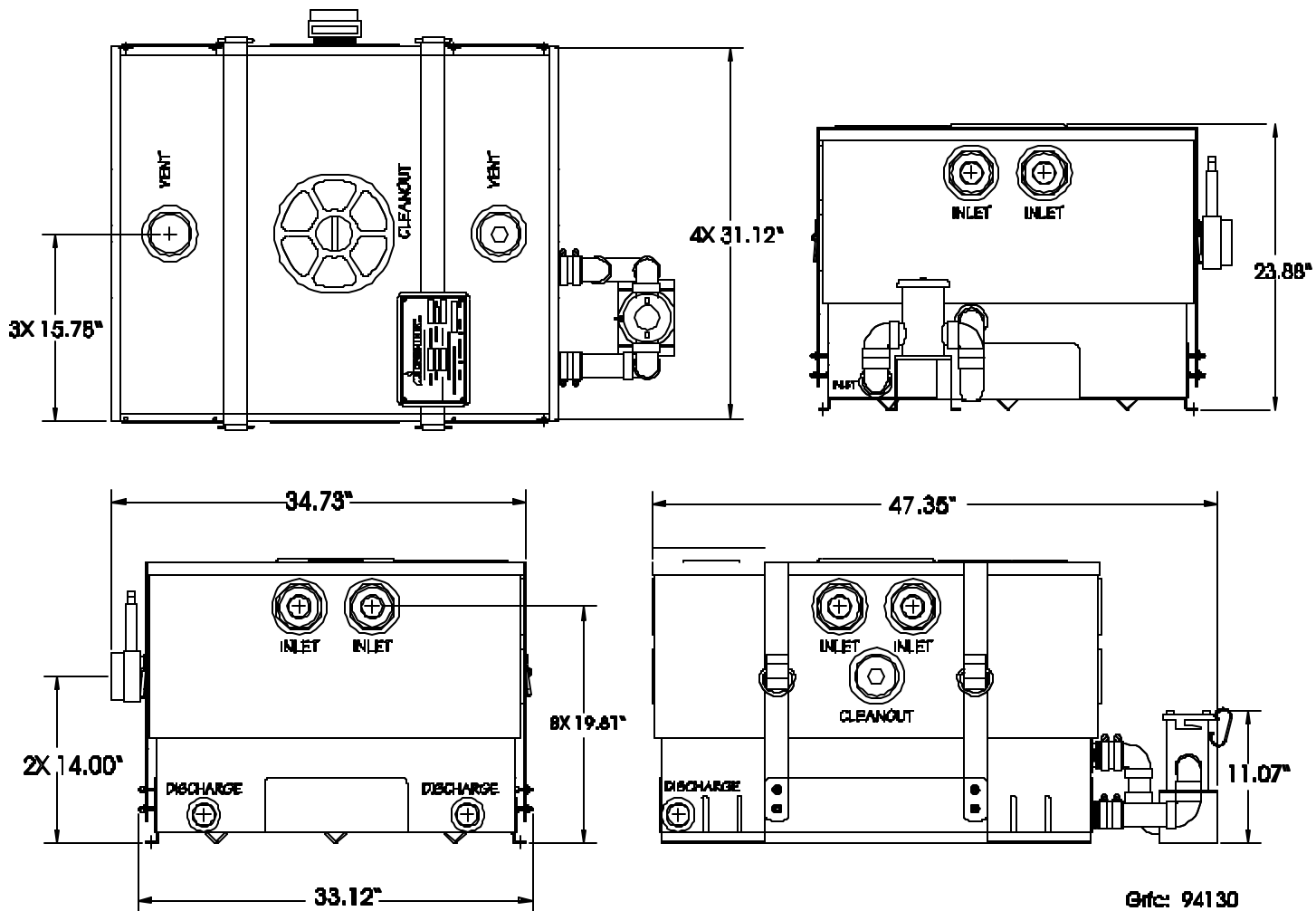


M-50 Marine Sanitation Device, P/N 94130



Note: (2) vents, 3"
 (8) inlets, 3 x 1-1/2" reduced
 (2) cleanouts, 3"
 Plugs provided for parts not used

Maximum Toilet Capacity:	4 per tank		
Maximum LPD Capacity:	95 LPD per tank		
Maximum Crew Size:	5 people using Microphor 2 qt. Toilet		
Tank Weights:	<u>Dry</u> 210 lbs.	<u>Without Mounting Bracket</u> 150 lbs.	<u>Wet</u> 627 lbs.

Dual tank configuration available, P/N 94300. Contact factory for details.



452 East Hill Road
 Willits, CA 95490
 Phone: (707)459-5563
 Toll Free: 800-358-8280

Fax: (707) 459-6617
 E-mail: info@microphor.com
www.microphor.com
www.wabtec.com

Form: 632.doc
 8/2/00