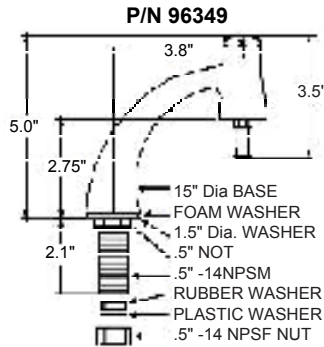
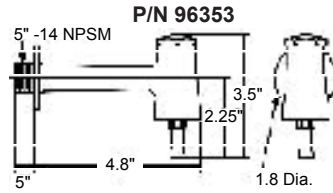


Self-Cleaning Slow Closing Faucet



Microphor slow closing faucets operate with a light upward tap of the in-stream activator. The activator's unique location assures it is automatically cleaned with each use. No unsanitary residue accumulates on the faucet handles or levers.

The simple balanced valve design provides years of reliable service. Faucet body is of solid brass construction with heavy nickel chrome plating. Spout design features efficient rose spray pattern.

Especially suited for any public access bathroom where water usage or waste water flow are a costly consideration.

Specification Data

The slow closing faucet is a chrome plated brass, deck or wall mounted fixture. The unit is non-adjustable. Water flow is initiated by exerting upward pressure on stem at center of faucet outlet. Single Cycle Average: 2 seconds; Flow: .53 gpm @ 50 PSIG static; Operating Pressure: 2-80 PSIG.

Ordering Information

<u>Water Pressure</u>	<u>Deck Mount</u>	<u>Wall Mount</u>
20-80 PSI	P/N 96349	P/N 96353
2-19 PSI	P/N 96349-3	P/N 96353-3

Strainer removed, flow dependent on pressure.

Shipping Information

P/N 96353, 96353-3	0.93 lbs.
P/N 96349, 96349-3	1.43 lbs.

Warranty

Limited one-year on all components.

