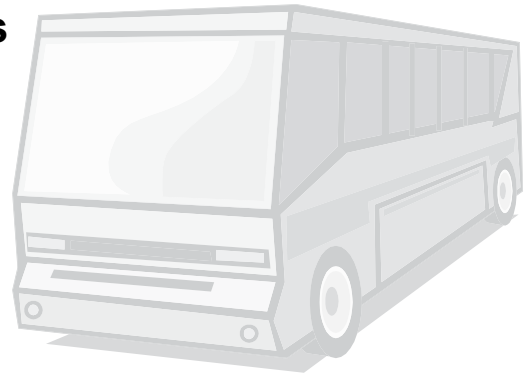


Model LF-320 Toilet For Tour and Charter Buses



***Simple design keeps
fresh water in the
bowl, odors and
waste in the holding
tank***

The Model LF-320 Toilet is a simple fresh water drop-through, ADA compliant, non-recirculating style toilet. It uses only two quarts of fresh water per flush and has a full rim wash for a cleaner bowl. The unique “flapper” design maintains a water and airtight seal between the bowl and the holding tank to reduce odors. For use with either gravity or pressure water supply installation.

The full-size round bowl is made of durable stainless steel that may be electropolished to help maintain a clean, shiny appearance. An optional urethane powder coating is available for a smooth, tough exterior to match your color scheme.

The compact design measures only 18-1/8” from the back wall to the front of the bowl (18”H x 14-1/2”W).

The Model LF-320 operates on existing 12 Volt DC power with easy-to-connect spade connectors. The push button flush activator is mounted on the wall for easy operation.



452 East Hill Road
Willits, CA 95490 USA
Tel: 707.459.5563
Tel: 800.358.8280
Fax: 707.459.6617
www.microphor.com
www.wabtec.com

For more information call us

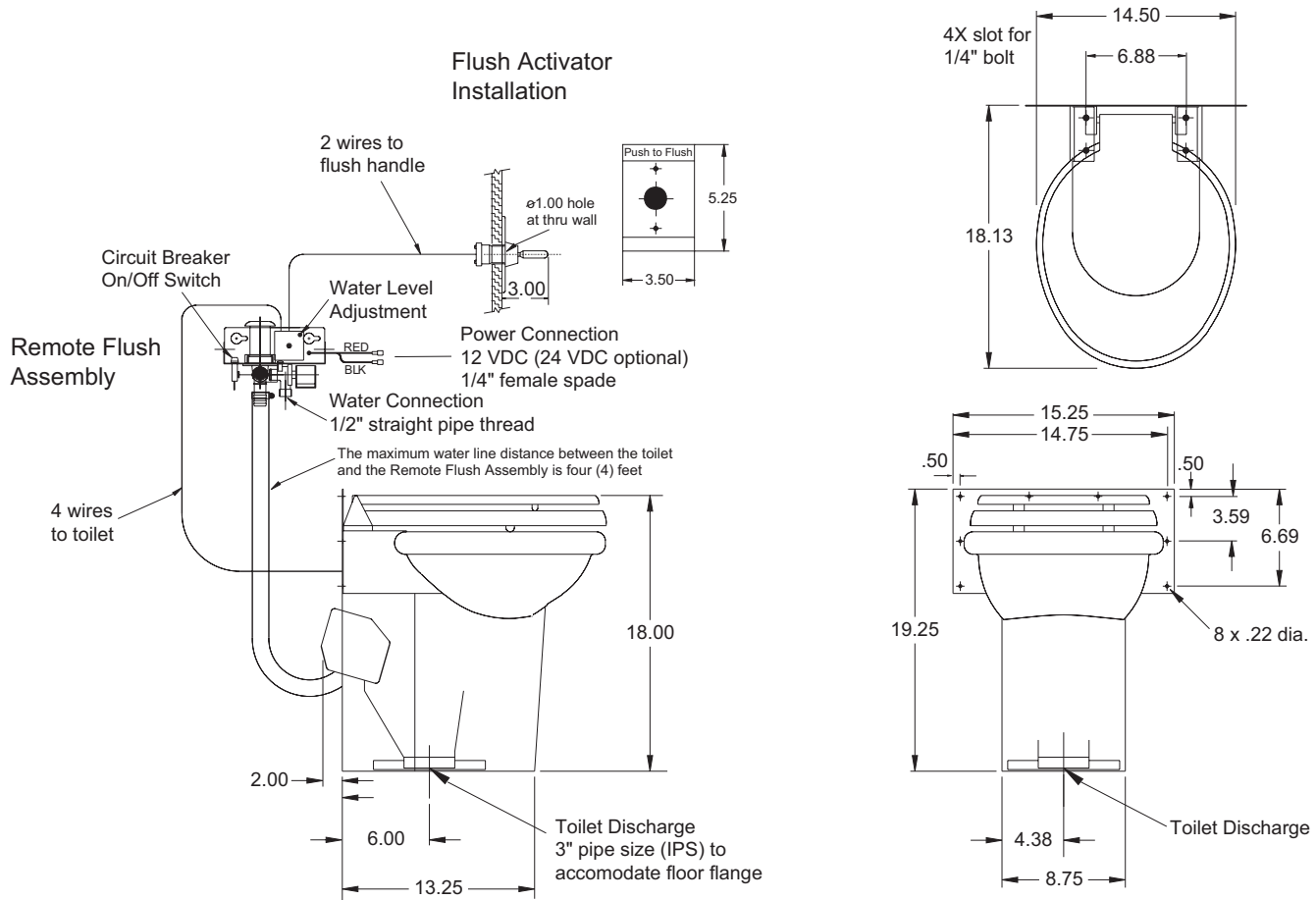
800.358.8280

or visit

www.microphor.com

Continuing a policy of research and development, Microphor reserves the right of price, product or design change without notice or obligation.

Model LF-320 Toilet For Tour and Charter Buses



Specifications

- Water Usage - 1/2 gallon per flush
- Water Flow at Toilet - 2.5 GPM min. for pressure 6' head min for gravity
- Water Pressure at Toilet - 20-50 PSI
- Optimal Water Pressure at Toilet - 35 PSIG
- Water Supply Line - 1/2" ID Min.
- Water System - Accumulator Tank Recommended
- Power - 12 Volt DC / Optional 24 Volt
- AMPS - 1.2 Amps / Optional 6 Amps
- Wire Size - Recommended 18 AWG
- Fuse - 5 Amp
- Discharge - 3-1/2" downward
- Mounting - Conventional Closet Flange
- Weight - 35 lbs.