



# Microphor®

## Retention Toilet

### RC900

**NEW**

- Excellent Bowl Rinse
- Ergonomically designed in Stainless Steel
- FRA Compliant toilet seat
- Corrosion free enclosed Polyethylene tank
- Pump mounted out of waste tank for easy waste-free access
- Filter screen remains in tank during servicing
- Accessible flush nozzle to clean filter screen
- Pump successfully tested for over 165,000 cycles
- Recessed heavy-duty tank drain slide valve
- Pump handle mounted for durability
- Universal mounting
- Trim kit available



**FOR MORE INFORMATION  
CALL TODAY  
1-800-358-8280**



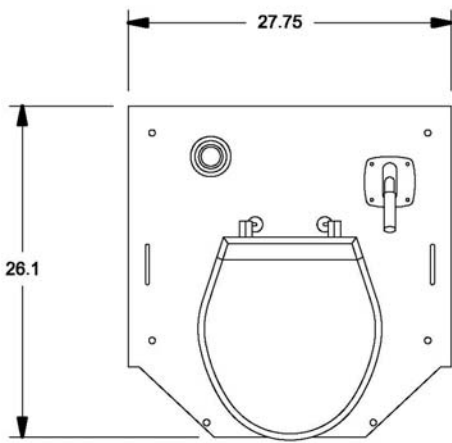
452 East Hill Road,  
Willits, CA 95490 USA  
Tel: 707.459.5563  
Tel: 800.358.8280  
Fax: 707.459.6617  
[www.microphor.com](http://www.microphor.com)  
[www.wabtec.com](http://www.wabtec.com)



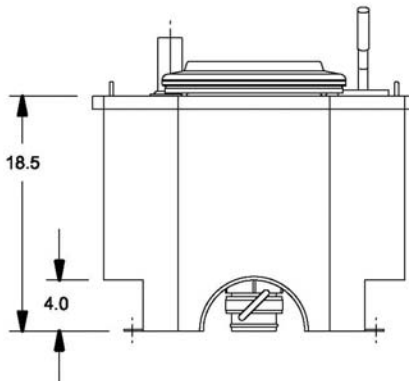
RC-900 Inner Bowl & Lid



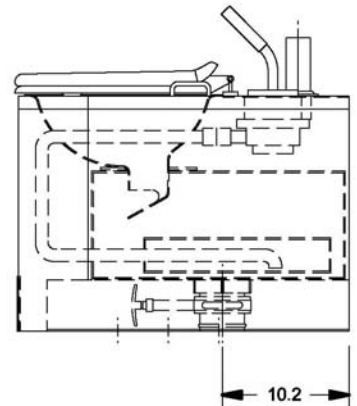
RC-900



TOP VIEW



FRONT VIEW



SIDE VIEW

**Dimensions:**

Diagonal Dimensions - 27.75"  
All dimensions are +/- .25"

**Part Numbers:**

- |         |  |
|---------|--|
| 93562   | Base Model                                   |
| 93562-5 | Base Model with Trim Kit                     |
| 93562-3 | Transit Model (w/ Internal Secondary Filter) |
| 93562-7 | Transit Model with Trim Kit                  |

CONTINUING A POLICY OF RESEARCH AND DEVELOPMENT, MICROPHOR RESERVES THE RIGHT OF PRICE, PRODUCT OR DESIGN CHANGE



452 East Hill Road,  
Willits, CA 95490  
USA  
Tel: 707.459.5563  
Tel: 800.358.8280  
Fax: 707.459.6617  
www.microphor.com  
www.wabtec.com